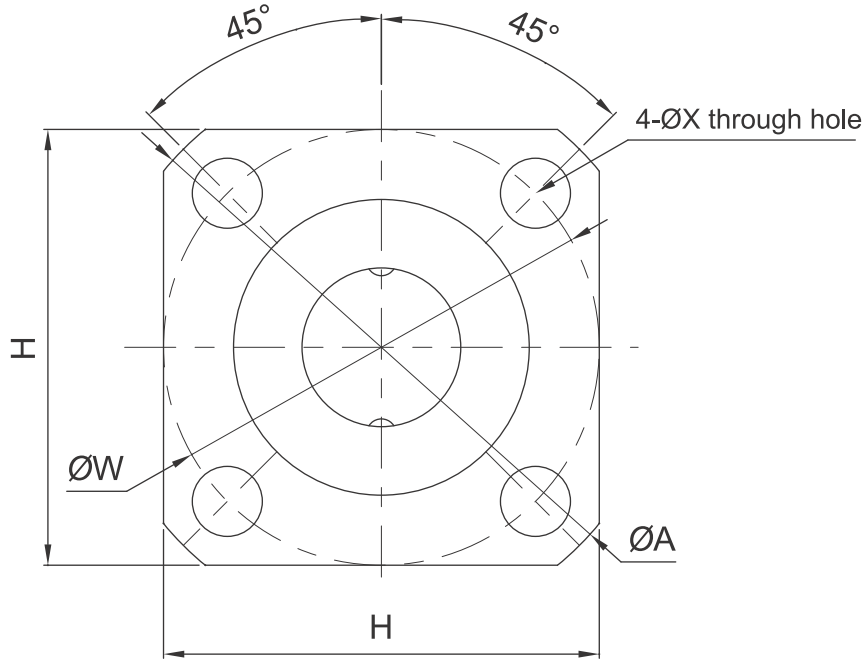
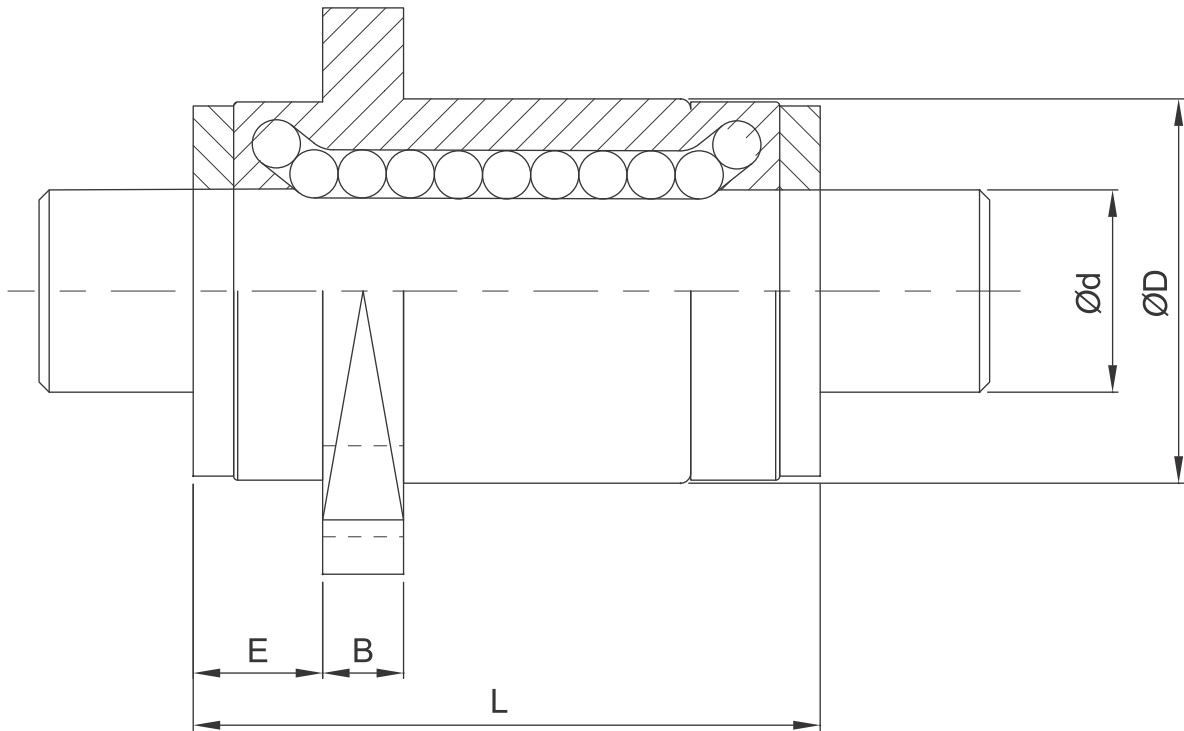


SOF Series Specifications



Model No.	Diameter		Row	Spline Nut Dimension							Mounting Hole X
	d	h7		D	L	A	B	E	F	W	
SOF008	8		2	15	25	28	3.8	5.2	22	22	3.4
SOF010	10		2	19	30	36	4.1	5.9	28	28	4.5
SOF012	12		2	21	35	38	4	6	30	30	4.5
SOF015	13.6		2	23	40	40	4.5	6.5	31	32	4.5
SOF020	18.2		2	30	50	46	5.5	8.5	35	38	4.5
SOF025	22.6		2	37	60	57	6.6	10.4	43	47	5.5





Model No.	Basic Load Rating		Basic Torsion		Static Permissible Moment		Mass	
	C	C ₀	C _T	C _{0T}	MA1	MA2	Spline Nut	Spline Shaft
	kgf	kgf	kgf · m	kgf · m	kgf · m	kgf · m	g	kg/m
SOF008	121	136	0.56	0.63	0.34	2.24	23.5	0.39
SOF010	192	219	1.11	1.27	0.71	4.23	45	0.61
SOF012	222	274	1.51	1.87	1.08	6.02	59	0.88
SOF015	426	619	3.19	4.65	2.83	15.49	77	1.11
SOF020	673	922	6.73	9.22	4.95	29.36	150	2.02
SOF025	1142	1458	14.17	18.14	9.46	56.17	255	3.10

